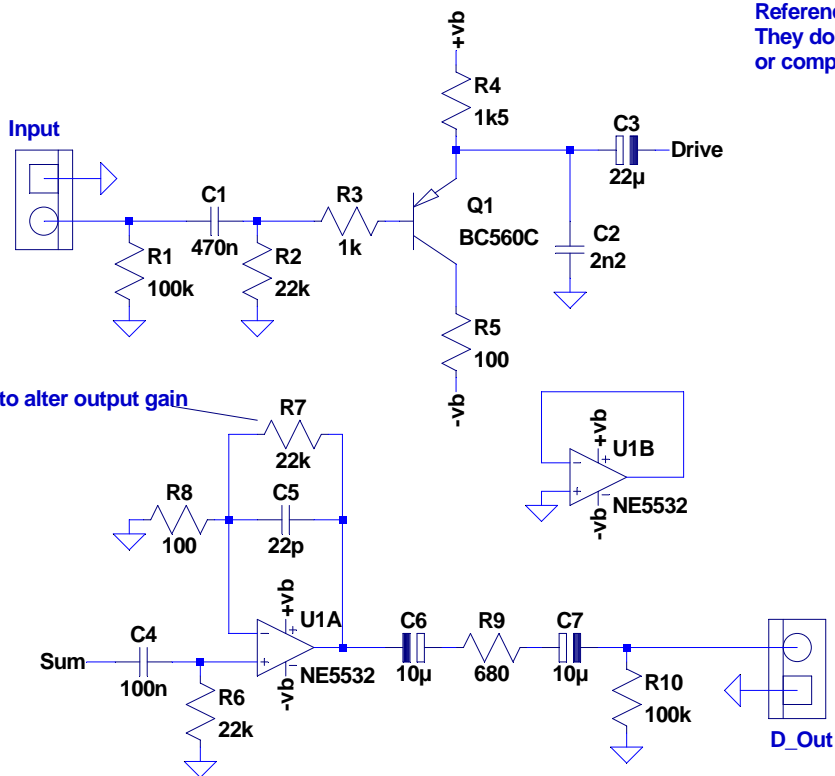


Only PSU Version shown.
 Refet to 907-Type Schemos for MOTM power supply.

JH. Filterbank
 914 (14 Bands) Version
 (c) J. Haible 2010
 PSU and Input/Output amp

CAUTION:
 Reference designators (R1, R2, etc.) are meaningless;
 They don't correspond to other schematic drawings
 or component overlay.



change this Resistor to alter output gain